

LUCAS
Quality
EQUIPMENT
&
SPARE PARTS



1961
ENFIELD
MOTOR CYCLES

JOSEPH LUCAS (SALES & SERVICE) LTD · BIRMINGHAM 18 · ENGLAND



EQUIPMENT SPECIFICATIONS AND PAGE INDEX

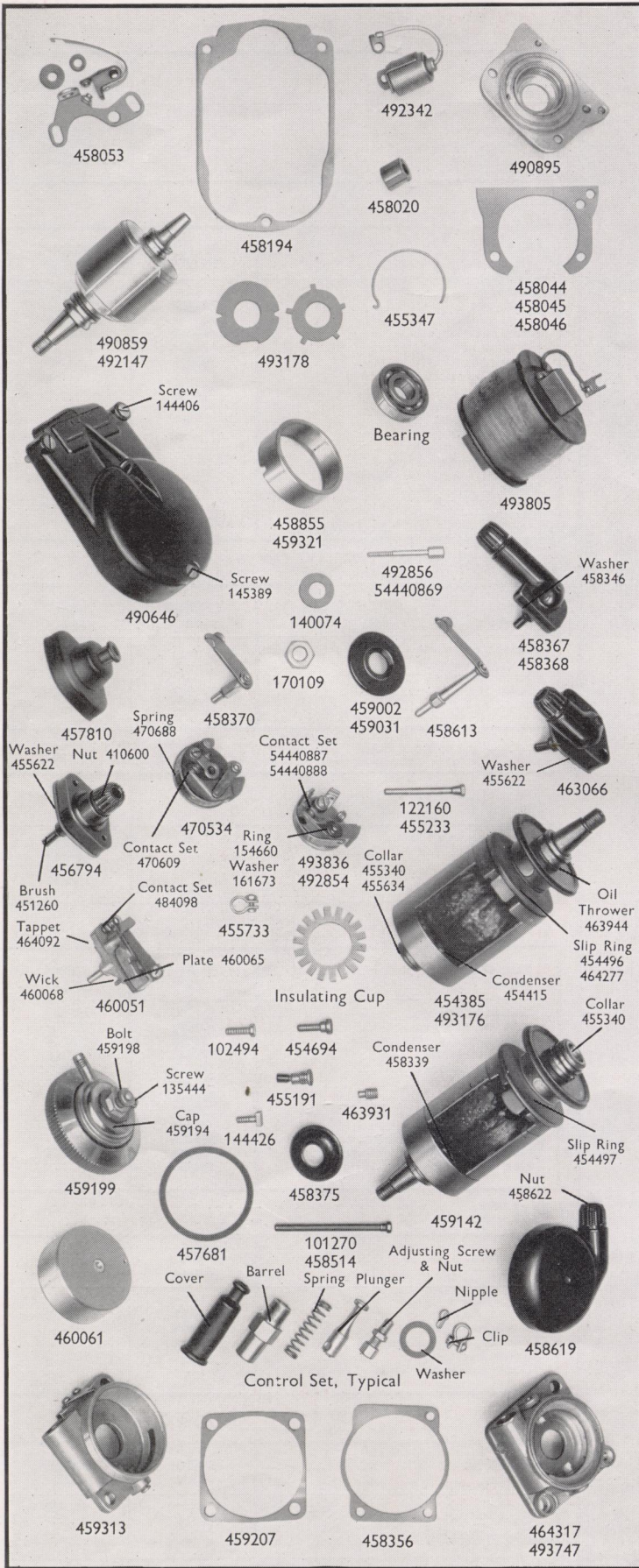
EQUIPMENT SPECIFICATIONS AND PAGE INDEX

UNIT	250 c.c. "Clipper", "Crusader" and "Crusader Sports"		350 c.c. "Clipper", "Bullet", and "Madras"; 500 c.c. "Bullet"		500 c.c. "Fury" (Scrambler, U.S.A. only)		500 c.c. "Meteor Minor" De Luxe and Sports		700 c.c. "Super Meteor" and "Constellation"	
	Model	Part No.	Model	Part No.	Model	Part No.	Model	Part No.	Model	Part No.
ALTERNATOR Rotor Stator	RM13	047519B (466125) (468678)	RM15	047531A (423506) (469427)	RM15	047531A (423506) (469427)	RM15	047531A (423506) (469427)	RM15	047531A (423506) (469427)
	CZU27	36084F	CZU27	36084F	CZU27	36084F	CZU27	36084F	CZU27	36084F
	PU7E-11 MLZ9E	—	PU7E-11	—	PU7E-11	—	MLZ9E	—	MLZ9E	—
BATTERY Sports models only	—	—	—	—	—	—	—	—	—	—
CABLE HARNESS Airflow (except "Constellation") " " ("Constellation")	—	839870 839870	—	839870 839870	—	839800	—	839870 839870	—	54033163 839870 838481
	MA6	45077E	MA6	45077E	—	—	MA6	45077E	MA6	45077E
COIL, IGNITION	CA1A	47571D/E	—	—	—	—	—	—	—	—
CONTACT BREAKER	—	—	—	—	—	—	—	—	—	—
DISTRIBUTOR	HF1849	70142D	HF1234	*069424H (069225)	HF1234	*069424H (069225)	HF1849	70142D	HF1234	*069424H (069225)
HORN	4A	76204D	—	—	4A	76204D	4A	76204D	—	—
HORN PUSH (Sports Models only)	25SA	31563D	25SA	31563D	—	—	25SA	31563D	25SA	31563D
LAMPS Home and export, vertical dip Home and export, "Airflow" Export Europe (not France) Export France Pilots Stop tail, number plate and reflex	MCF700 F700	50943E 58258A	MCF700 F700	50943E 58258A	SSU700	*151751A	MCF700 F700	50943E 58258A	MCF700 F700	50943E 58258A
	MCF700EF 550	51112D 51134D 52234A	MCF700EF 550	51112D 51134D 52234A	—	—	MCF700EF 550	51112D 51134D 52234A	MCF700EF 550	51112D 51134D 52234A
	564	53394B	564	53394B	564	53432B	564	53432B	564	53432B
	—	—	—	—	—	—	—	—	—	—
	SR1	—	SR1	—	N1	42272B	—	—	K2F	†42369B
MAGNETO Auto advance units	FSX1849	47132B	FSX1849	47132B	FSX1849	47132B	FSX1849	47132B	FSX1849	47132B
RECTIFIER	—	—	—	—	—	—	—	—	—	—
SWITCHES Dipper (Sports Models only) Ignition Knob (order separately) Lighting Lighting ("Airflow") Magneto cut-out (when fitted) Stop lamp (when fitted) Stop lamp ("Madras" only) Spring	99	*31549B (31482)	—	—	99	*31549B (31482)	99	*31549B (31482)	—	—
	PRI-2	34093B	PRI-2	34093B	—	—	PRI-2	34093B	63SA	—
	U39	*31491A (31684)	U39	*31491A (31684)	U39	*31491A (31684)	U39	*31491A (31684)	U39	*31491A (31684)
	41SA	31784A	41SA	31784A	4A	76204D	41SA	31784A	41SA	31784A
	6SA	31688A	6SA	31688A	6SA	31688A	6SA	31688A	6SA	31688A
	22B	—	22B	—	—	—	—	—	—	—

Notes: On the "Prince," Lucas Horn—Model HF1849, Part No. 70142D is fitted.
 On the 350 c.c. and 500 c.c. Trials and Scrambles "Bullet," Lucas Magneto—Model KNR1, Part No. 42349D is fitted (Later 42349E).
 *When ordering, quote number shown in brackets. † "Constellation" and U.S.A.
 †Export only. †For Export to U.S.A., Horn 70142D is fitted.



MAGNETOS



Part No.	Model	42330B SR1 Mk. IIA
§Cover	...	490646
§Brush and spring	...	145389
§Screw, cover fixing, long	...	144406
§Screw, cover fixing, short	...	458194
§Gasket, rubberised cork	...	144426
§Rotor arm	...	458028
§Terminal low tension, square head	...	492342
§Bush, low tension terminal	...	458053
§Condenser	...	490895
§Contact set	...	490895
§Plate, contact breaker	...	189289
§Bearing, contact breaker end	...	451378
§Cup, bearing insulating	...	458044
§Shim, contact breaker plate packing,	...	458045
003"	458046
005"	458020
010"	455347
§Cam	...	458020
§Nut, shaft	...	170109
§Washer, shaft nut	...	140079
§Magnetic rotor	...	490859
§Bearing, drive end	...	189291
§Cup, bearing insulating	...	451379
§Coil, wound	...	493805
§Terminal or screw	...	102494
§Bush, insulating, terminal	...	492468
§Pad, insulating, terminal	...	161714
§Strip, cut-out	...	---
§Cover, rubber, cut-out terminal	...	---
§Seal, oil	...	459033
§Set of parts, for cut-out switch conversion	...	---
§Sundry parts, set	...	490663

Part No.	Model	42272B N1	42349D KNC1	42349E KNC1	42369B K2F
Clip, pick-up cover	...	---	455733	455733	---
Cover, pick-up (rubber)	...	---	457810	457810	458658
§Pick-up	...	463066	456794	456794	*458367
§Pick-up	...	---	---	---	458368
§Brush and spring, pick-up	...	451260	451260	451260	451260
§Nut, securing, H.T. cable	...	410600	410600	410600	410600
§Washer, seating, pick-up	...	455622	455622	455622	458346
§Cover, contact breaker	...	460061	459199	459199	458619
§Ring, sealing contact breaker	...	---	---	---	---
cover	---	457681	457681	---
Screw, drain plug	...	---	135444	135444	---
Bolt, securing breather cap	...	---	459198	459198	---
Cap, breather or baffle	...	---	459194	459194	---
§Nut, securing cut-out cable	...	---	---	---	458622
§Screw, fixing contact breaker	...	---	455233	455233	492856
§Contact breaker	...	460051	470534	492854	493836
Contact set	...	484098	470609	54440888	54440887
Ring, retaining lever	...	---	---	154660	154660
Washer, insulating ring	...	---	---	161673	161673
§Springs set, contact actuating	...	---	470688	470688	---
§Bush, insulating, C.B. fixing	...	---	---	---	---
screw	---	470555	470555	---
§Bush, insulating, screwblock	...	---	470684	---	---
§Brush and spring, C.B. earthing	...	---	470537	---	---
§Screw, fixing spring bracket	...	---	470537	---	100614
§Washer, insulating bracket	...	---	---	---	---
screw	---	---	---	161681
§Bush, insulating spring bracket	...	---	---	---	492853
§Bracket, supporting springs	...	---	---	---	493202
§Screw, hollow, special, carrier	...	---	---	---	---
fixing	460067	---	---	---
§Bush, insulating, carrier fixing	...	---	---	---	---
screw	463983	---	---	---
§Wick, felt, lubricating cam	...	460068	---	---	---
§Bush, insulating centre of con-	...	---	---	---	---
tact breaker	460066	---	---	---
§Plate, insulating, carrier to base	...	---	---	---	---
§Tappet, celeron	...	464092	---	---	---
§Screw, hexagon head, fixing	...	---	---	---	---
contact breaker	110739	---	---	---
§Washer, locking, C.B. fixing	...	---	---	---	---
screw	460052	---	---	---
§Control set, advance and retard	...	463107	459305	459305	463107
Spring	...	454472	454472	454472	454472
Cover, rubber	...	454475	454475	454475	454475
Clip, cover securing	...	---	455734	455734	455734
Washer, seating barrel	...	454492	164724	164724	163343
Plunger	...	454969	493304	493304	454969
Nipple	...	455788	455788	455788	455788
Screw, adjusting	...	111591	111591	111591	111591
Nut, adjusting screw	...	170124	170124	170124	170124
Barrel	...	454467	---	---	---
§Ring, jump, fixing cam	...	455347	---	---	---
§Cam	...	493178	459321	459321	458855
§Pin and spring, securing C.B. cover	...	---	---	---	458613
§Plate, housing contact breaker	...	464317	459313	459313	493747
§Cup, insulating bearing	...	451379	463932	463932	451379
§Screw, timing cam	...	463931	463931	463931	463931
§Pin, cam timing screw	...	186060	186060	186060	186060
§Shim, .005" thick, packing C.B.	...	---	---	---	---
housing	452907	452907	452907	458356
§Spring and pin	...	451315	---	---	---
§Screw, end plate, seal	...	454694	---	---	---
§Nut, shaft	...	170109	170109	170109	170109
§Washer, shaft nut	...	140074	140074	140074	140074
§Armature	...	454385	493176	493176	459142
§Slip ring	...	454496	464277	464277	454497
§Washer, linen	...	164334	---	---	---
§Bolt, through fixing	...	101270	101270	101270	458514
§Condenser	...	454415	454415	454415	458339
§Thrower, oil	...	463944	463944	463944	463944
§Collar, spacing	...	455634	455634	455634	455340
§Bearing, contact breaker end	...	189291	189294	189294	189291
§Bearing, driving end	...	189291	189294	189294	189244
§Brush, spring and holder, earthing	...	455191	455191	455191	455191
§Pin and spring, securing pick-up	...	---	---	---	458370
§Seal, oil, bearing	...	---	459033	459033	459002
§Cup, insulating, driving end bearing	...	451379	463932	463932	459005
§Washer, rubber, oil excluding	...	458375	---	---	---
§Sundry parts, set	...	454697	454697	454697	458675

*Right hand ||Left hand §Recommended spares for stock

AUTO ADVANCE UNIT

Part No.	47556B
Washer, cover clip	498131
Washer, disc cover	498339
§Spring, set	498157/S
Nut, fixing	498303

CONTACT BREAKER UNIT

Part No. Model	47571D/E CA1A
Plate	465958
Nut, terminal	166094
Washer, plain, terminal	131023
Washer, insulating, terminal	161353
Bush, terminal	419950
§Contact set	420196
§Condenser	54413002
§Cam	465939
§Spring set, auto-advance	421457/S
§Toggles	407131
§Weight	415730
§Sleeve and action plate	469107

ALTERNATORS

Part No. Model	†047519B RM13	†047531A RM15
Rotor	466125	423506
§Stator	468678	469427
Clip, cable	54210167	54211509
Washer, cable clip	131023	131023
‡Rectifier	47132B	47132B

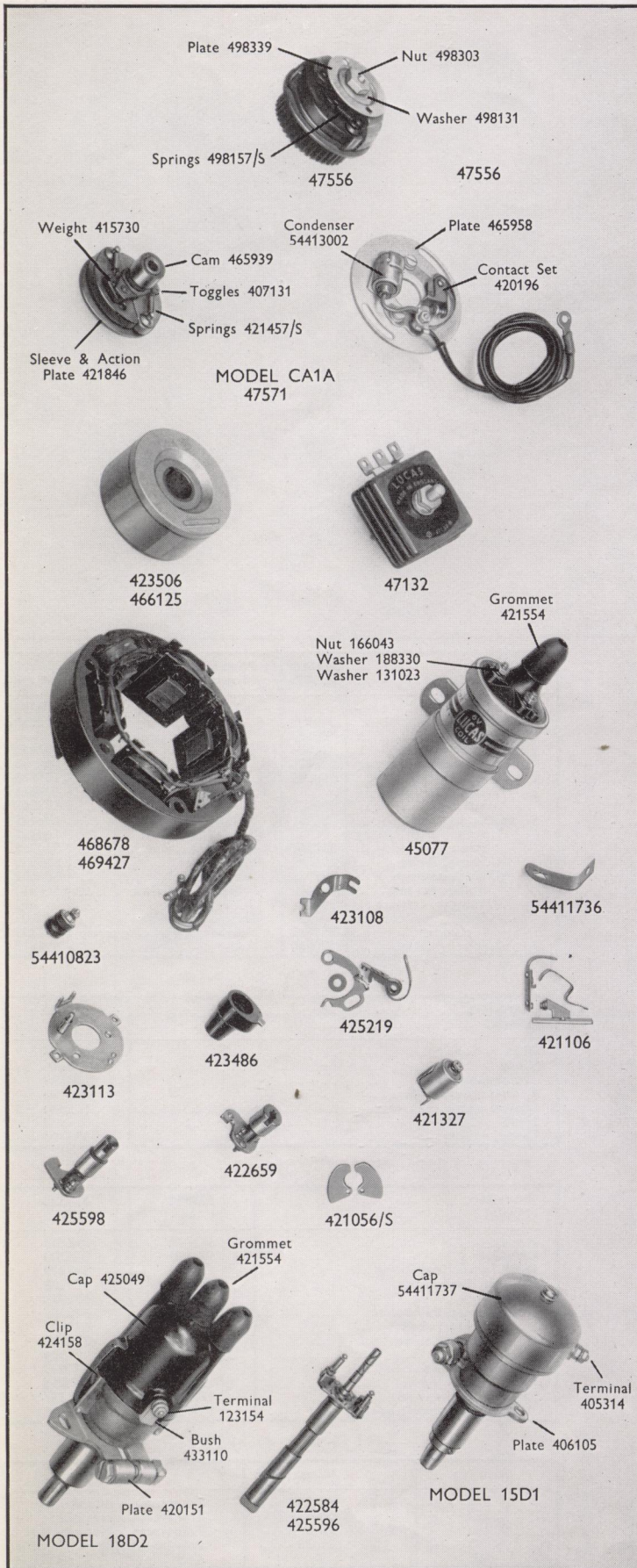
DISTRIBUTORS

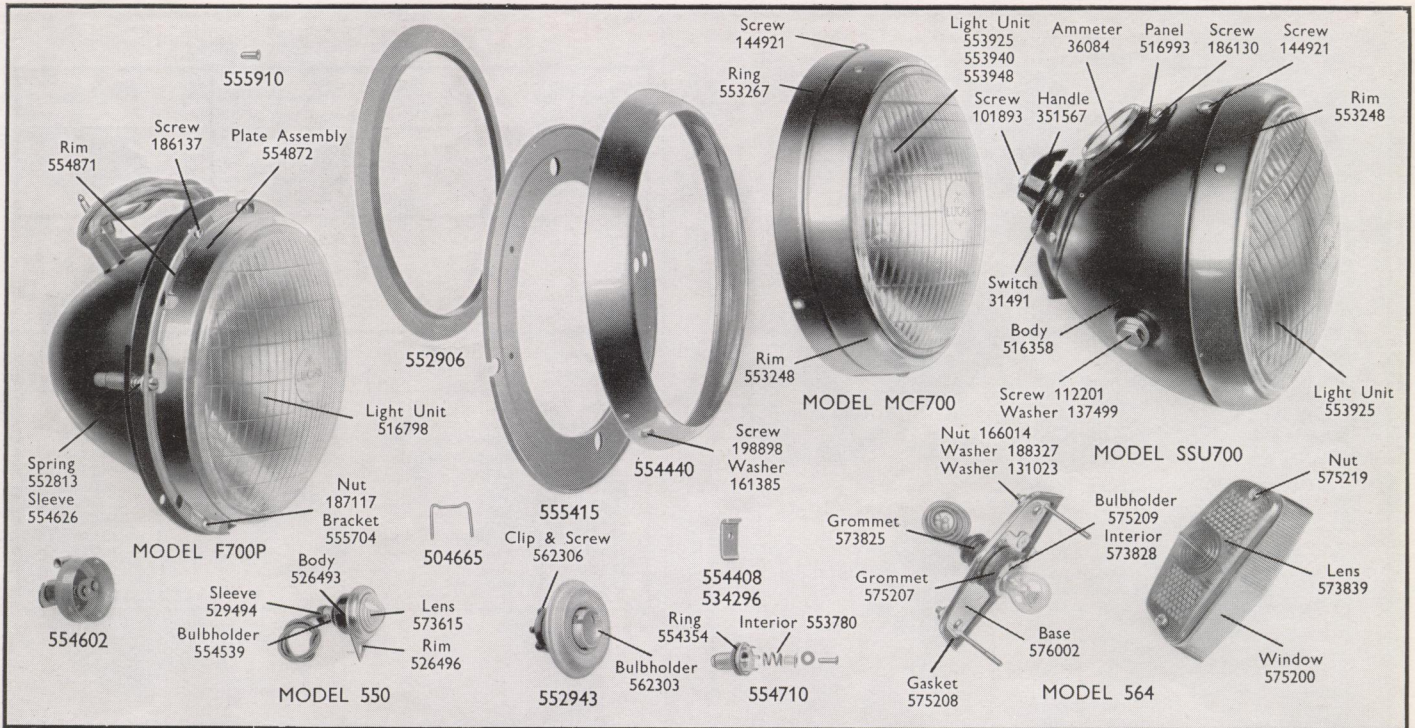
Part No. Model	40610A 18D2	40712A 15D1
§Plate clamping	420151	406105
Screw and nut securing	415087	401119
§Cap, distributor	425049	54411737
Screw, fixing cover to bracket	—	54120019
Brush and spring	404435	—
Grommet, cap	421554	—
Clip, cable contact	421863	—
Bracket, cover	—	54411736
§Rotor arm	423486	—
Terminal low tension	123154	405314
§Bush, insulating shaped	423110	421109
Bush, insulating plain	423109	421102
Connector, terminal to condenser	423108	—
§Condenser	54410823	421327
Cover condenser	421569	—
§Contact set	425219	421106
§Plate, C.B. base	423113	—
§Cam	425598	422659
§Spring, automatic advance set	54412732	422655/S
§Weight (set of 2)	421056/S	421056/S
§Shaft and action plate	425596	422584
Collar shaft	—	422650
§Oil seal body	—	54160003
§Clip, cap retaining	424158	—
§Bush bearing	423121	—
§Sundry parts set	425243	54412407

IGNITION COIL

Part No. Model	45077E MA6
§Grommet, rubber	421554
Clip, cable contact	421863
Nut, switch and contact breaker terminal	166043
Washer, shakeproof	188330
Washer, plain	131023

§Recommended spares for stock †Order separately
 ‡For reference only, normally serviced by Stator and Rotor





HEADLAMPS

HOME AND EXPORT, VERTICAL DIP

Part No. ... Model ...	58258A F700P
§Rim ...	554440
§Screw, rim fixing ...	198898
§Washer, screw retaining ...	161385
§Nut, rim fixing screw ...	187117
§Bracket, rim fixing ...	555704
§Excluder, dust ...	552906
§Plate, light unit retaining ...	554872
§Screw, unit rim ...	186137
§Rim, unit seating ...	554871
§Light unit ...	516798
§Bulbholder ...	554602
§Sleeve, terminal ...	555910
§Bulbholder, pilot ...	554710
§Interior, pilot bulbholder ...	553780
§Ring, bulbholder, seating ...	554354
§Bulb, main ...	312
§Bulb, pilot ...	988
§Gasket, rubber ...	555415
§Spring, trimmer ...	552813
§Sleeve, sealing ...	554626

HOME AND EXPORT, VERTICAL DIP

Part No. ... Model ...	50943E MCF700
§Light unit ...	553925
§Bulb holder ...	554602
§Bulb ...	312

EXPORT, EUROPE (NOT FRANCE)

Part No. ... Model ...	51112D MCF700
§Light unit ...	553940
§Bulbholder ...	554602
§Bulb ...	403

EXPORT, FRANCE

Part No. ... Model ...	51134D MCF700EF
§Light unit ...	553948
§Backshell ...	552943
§Bulbholder ...	562303
§Clip and screw, bulbholder ...	562306

Parts shown below are common to MCF700 lamps above

§Rim or door ...	553248
§Wire, light unit fixing ...	504665
§Screw, rim fixing ...	144921
§Plate, rim fixing ...	554408
§Ring, fixing ...	553267
§Sleeve, terminal ...	555910

Part No. ... Model ...	51751A SSU700	Part No. ... Model ...	51751A SSU700
§Instrument panel, complete ...	516993	§Spring, fixing ...	308234
§Screw, fixing ...	186130	§Ring, rubber, fixing ...	523986
§Ammeter ...	36084	§Washer, handle fixing screw ...	188408
§Ring, rubber, seating ...	523986	§Nut, contact stud ...	166103
§Nut, terminal ...	166043	§Screw, cable clip ...	186128
§Washer, spring, terminal ...	185022	§Washer, cable clip screw ...	188453
§Switch, lighting ...	31491	§Rim ...	553248
§Handle, with fixing screw ...	351567	§Wire, fixing ...	504665
§Screw, fixing ...	101893	§Screw, fixing rim ...	144921
§Shaft, headpiece ...	351773	§Plate, fixing rim ...	534296
§Roller, contact ...	351660	§Light Unit ...	553925
§Plunger, contact ...	351661	§Bulbholder ...	554602
§Spring, contact plunger ...	351662	§Sleeve, terminal ...	555910
§Screw, terminal ...	120560	§Bulb ...	312
		§Screw, fixing lamp ...	112201
		§Washer, lamp fixing screw ...	137499
		§Body ...	516358

PILOT LAMP

Part No. ... Model ...	52234A 550
§Rim or door ...	526496
§Lens ...	573615
§Bulbholder shell ...	554539
§Interior, bulbholder ...	553780
§Sleeve, earth ...	526494
§Bulb ...	988
§Body, rubber ...	526493

STOP TAIL, NUMBER PLATE & REFLEX LAMP

Part No. ... Model ...	53394B 564	53432B 564
§Lens ...	573839	573839
§Window ...	575200	575200
§Nut, barrel, lens fixing ...	575219	575219
§Gasket, lens seating ...	575208	575208
§Base ...	576002	576002
§Grommet, bulbholder ...	575207	575207
§Bulbholder, shell ...	575209	575209
§Interior, bulbholder ...	573828	573828
§Bulb ...	352	384
§Grommet, cable ...	573825	573825
§Nut, lamp fixing ...	166014	166014
§Washer, shakeproof ...	188327	188327
§Washer, fixing bolt, spacing ...	131023	131023

BULBS 6 VOLT

Bulb No.	Watts	Description
312	30/24	Transverse, vertical dip
352	18/3	Transverse, offset pin
384	18/6	Transverse, offset pin
403	35/35	Bow-hooded, axial
988	3	Coil

§Recommended spares for stock

AMMETER

Part No. Model ...	36084F CZU27
§Nut, terminal ...	166043
§Washer, terminal ...	185040
§Ring, rubber ...	523986

HORNS

Part No. Model ...	70142D HF1849	069424H HF1234
§Bracket ...	—	703185
Tone disc ...	705108	703339
Nut, tone disc ...	705114	178931
Nut, adjusting screw ...	166019	—
Washer, adjusting screw ...	131674	—
Screw adjusting ...	705098	—
Screw, bracket (¼" B.S.F.) ...	—	145481
Cover ...	705085	—
Ring, cover sealing ...	705068	—
Support, cover ...	705086	—
Screw, cover fixing ...	113030	145491
§Diaphragm ...	—	703988
Nut, diaphragm fixing ...	—	184000
Washer, diaphragm packing ...	—	700238
§Contact set ...	—	703233
Terminal block ...	—	703004
§Sundry parts, set ...	—	703235

HORN PUSH AND DIPPER SWITCH

Part No. Model ...	‡31549B 99	31563D 25SA
Button and cover ...	—	380660
Base and lever ...	—	380658
§Screw, terminal ...	—	120610
§Screw, fixing ...	121964	—
Clip ...	380427	—

HORN PUSH or CUT-OUT SWITCH

Part No. Model ...	76204D 4A
§Screw, terminal ...	119520
Clip, fixing ...	762229
§Screw, fixing ...	135480
§Nut, fixing ...	153491

LIGHTING SWITCH

Part No. Model ...	31491A U39	31784A 41SA
§Handle or knob ...	351567	351815
Screw, fixing ...	101893	127301
§Washer, fixing screw ...	188408	185038
§Screw, terminal ...	120560	120560
Shaft, headpiece ...	351773	54330517
Roller ...	351660	351660
Plunger ...	351661	351661
Spring ...	351662	351662
Lever, contact ...	351528	351528
Spring or nut, switch fixing ...	308234	173777
§Ring or washer, switch fixing ...	523986	188303
Nut, contact stud ...	166103	—

IGNITION SWITCH

Part No. Model ...	34093B PR1-2	54033056 63SA
§Key, ignition ...	344715	—
§Cover, rubber ...	344729	332521
§Screw, terminal ...	132464	—
§Washer, terminal screw ...	185000	—
§Connector ...	—	900269
§Connector, tube, single ...	—	900288

STOP LAMP SWITCH

Part No. Model ...	31688A 6SA	31437D 22B
†Spring ...	—	315714
§Cover, terminal, rubber ...	360363	—
§Sleeve, terminal ...	188818	—

§Recommended spares for stock

†Supplied separately

‡Dipper only

